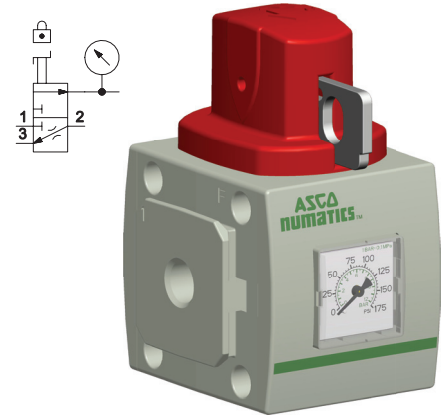


- Robust and easy-to-operate shut-off valve, with lockout on handle
- Provides shut-off to downstream machinery
- Optional low profile integrated gauge provides clear indication of the downstream pressure, and when the downstream components can be safely removed when pressure (P2) is at zero
- Available as 3/2 or 2/2 construction

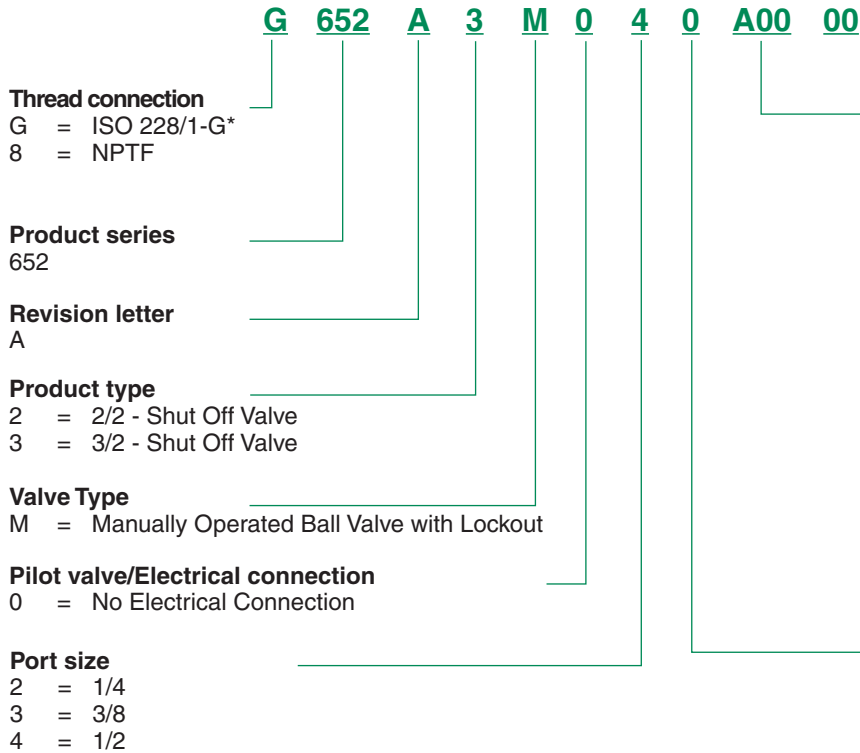


Performance Data			
Port sizes		1/4, 3/8, 1/2	
Thread type		G (NPTF in option)	
		l/min	
		1 → 2	2 → 3
Nominal flow - ISO Standard	1/4	4300	230
	3/8	8800	230
	1/2	11400	230
Maximum inlet pressure (bar)		16	
Ambient temperature range (°C)		-10 to +50	
Fluid temperature range (°C)		-10 to +50	
Fluid		air or inert gas	
Weight (kg)		0,438	

Materials in contact with fluid	
Body	Aluminium
Body covers	Polyamide
Ball	Zinc plated steel
Seat	PTFE
Seals	NBR

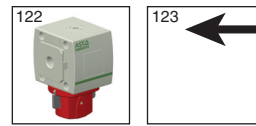
HOW TO ORDER

Shut-Off Isolation Valve



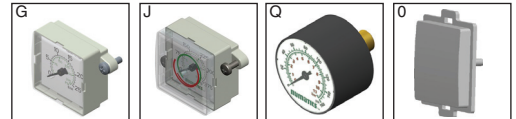
Options**

- A00 = Without option
- 109 = FPM seals
- 113 = Stainless steel fasteners
- 117 = ATEX zones 1/21
- 122 = Bottom oriented pressure adjustment
- 123 = Gauge type mounted for right-to-left flow



Gauge type

- G = Low profile integrated gauge bar/PSI
- J = Low profile integrated gauge bar/PSI with pressure range indicators
- Q = Round gauge bar/PSI
- 0 = No gauge port

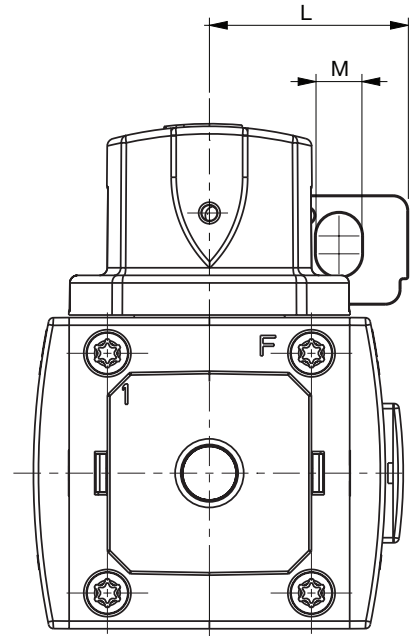
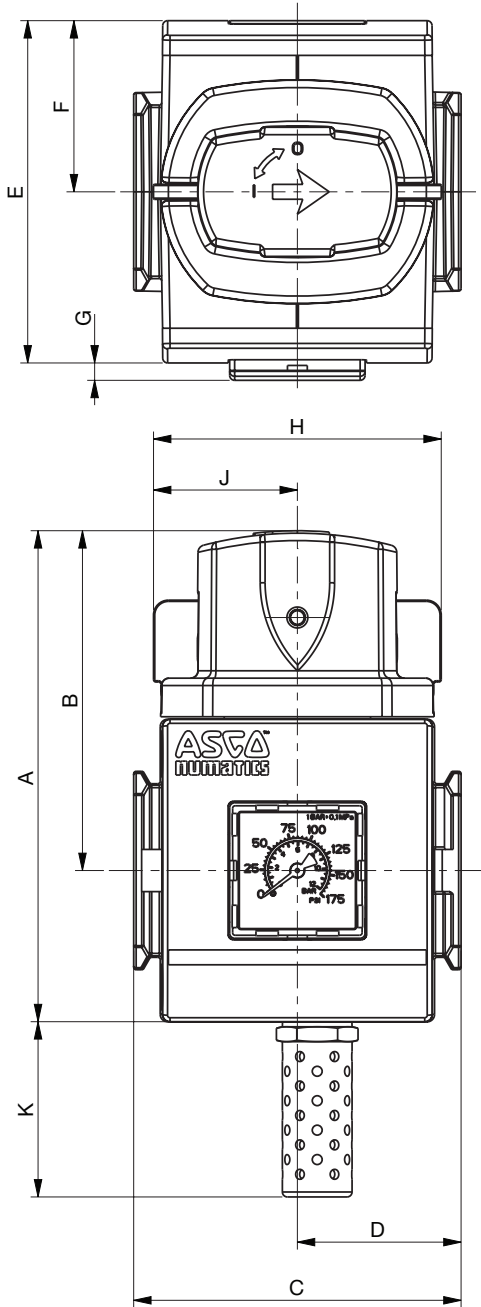


* Conforms to ISO standards 1179-1.

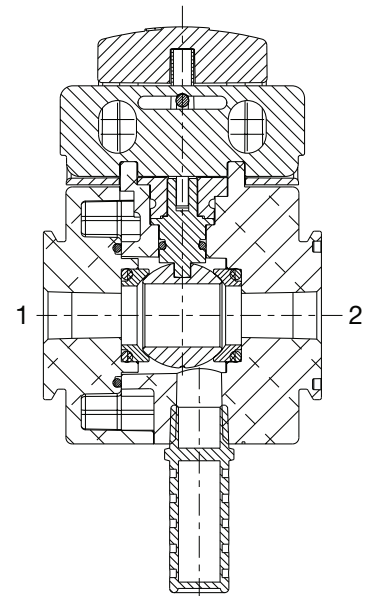
** If multiple options are required, please use the on-line CAD configurator on the website to generate the part number (www.asconumatics.eu).

Dimensions: mm

Dimensional Drawing - 652 Series Shut-Off Isolation Valve



Cross Section - 652 Series Shut-Off Isolation Valve



A	B	C	D	E	F	G	H	J	K	L	M
99	68	66	33	69	34,5	2,5	58	29	35	39	9